

INSTRUCTION MANUAL FOR TRANSFORMER MODEL RC04



Professional
POOL PRODUCTS

IMPORTANT: This manual includes essential information on the safety measures to be implemented for installation and start-up. Therefore, the installer, as well as the user, must read these instructions before beginning installation and start-up.

To achieve optimum performance, follow the instructions indicated below:

1. VERIFY THE CONTENTS OF THE PACKING:

Transformer x 1 & Remote control x 1

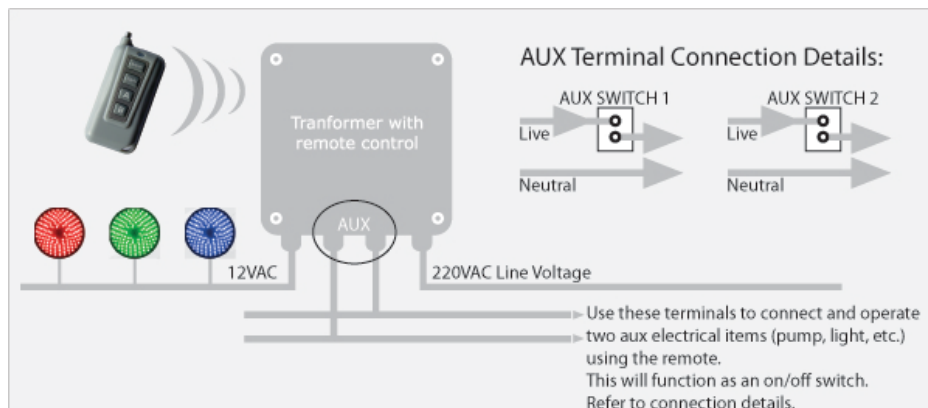
2. GENERAL CHARACTERISTICS AND INFORMATION:

- This is a single-phase 220W step-down transformer that is used to lower voltage from 220V to 12V.
- This transformer is designed primarily for underwater pool and fountain lights.
- This transformer can be fixed for both, new and old pools.
- It is possible to operate the underwater lights using a remote control that is included.
- It is also possible to operate two additional electrical items (garden lights, fountain pump, etc) using the remote control which will function as an on/off switch.
- There is a safety fuse inside.
- It is recommended **not** to install this unit more than 15 meters away from the pool.
- The manufacturer is not responsible in any circumstances for assembly, installation or start-up of any electric components that have been inserted or handled at locations other than its own premises.

3. INSTALLATION:

Prior to commencing, make sure there is no electricity passing through the wires and cables to be connected.

- Mount the transformer on a solid and secure wall at a minimum distance of 2 meters from any water source or pipes.
- Connect the 220V input voltage into the terminals clearly marked as **220V AC SUPPLY**
- Connect the lamp cables to the terminals clearly marked as **LAMP 12VAC**
- Connect any auxiliary electrical items into the terminals marked A and B (optional) – read section 5.
- It is good practice to check and verify that there is a fuse inside the fuse carrier, and that it is functioning.
- It is essential to make sure the connections are as tight as possible in order to avoid sparking.



4. MAINTENANCE:

FUSE: In case the lamps suddenly stop working, check incoming and outgoing voltage. If there is 220V going into the transformer and no 12V coming out, check the fuse and replace if necessary. This is an indication that there was a spike in voltage that damaged the fuse.

SPARKING: In case of sparking and/or blackness around the connection terminals, scrape off all soot, reconnect cables and tighten as much as possible.

REMOTE: In case the remote control stops working or is replaced, there is a small button on the remote module inside the transformer, press this button for 1 second, and then immediately press one of the 4 buttons on the remote to pair both devices. The battery inside the remote may require replacement.

5. AUX CONNECTIONS:

The auxiliary connections are to be used similar to an on/off switch. **Do not connect the live and neutral wires into the terminals, as this will damage the unit.** Simply connect the live wire of any electrical item (such as pump, light, etc) into one terminal and carry on the same wire out into the unit. This will enable the on and off action upon pressing the respective buttons. If you have any doubts, email us for assistance.

6. SAFETY WARNINGS:

- The persons who are in charge of installation should have the required qualifications for this type of work.
- Avoid making contact with the electric voltage.
- Comply with the current standards regarding accident prevention.
- IEC 364-7-702 standards must be observed: WIRING IN BUILDINGS, SPECIAL WIRING, SWIMMING POOLS.
- Any maintenance works must be performed with the 220V incoming wire disconnected or switched off at the main supply.
- Do not handle any electrical components with wet feet.

7. TECH SPECS:

Housing Protection:	IP65
Housing Size:	160mm x 160mm x 90mm
Weight:	1.8kgs
Input Voltage:	220V
Output Voltage:	12V
Maximum Power Output at 12V Terminal:	220W
Maximum Power Connected to Aux Terminals:	1500W/240V

8. MORE INFORMATION:

For more information on this product, installation guides and maintenance procedures, please visit www.propoolpro.com

Professional Pool Products reserves the right to alter this document as and when necessary, without prior notice.